



EV Charging Solutions

Why Choose MicroPower Direct?

Reliability: Over 25 years, MPD has established itself as a reliable partner, earning the trust of countless customers. We stand by our commitment to be there for you, offering products designed and built to deliver years of dependable service.

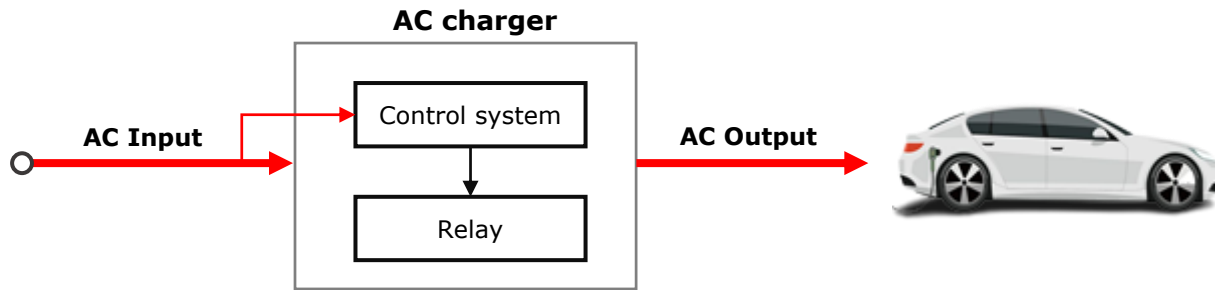
Quality: Our products are manufactured using the highest quality materials and components, and they are rigorously tested to ensure they meet or exceed the most demanding industry standards.


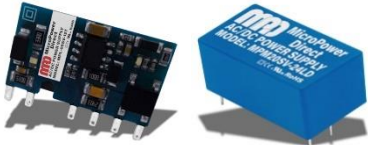

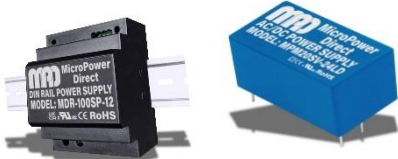
Technical Expertise: Our team of experienced engineers is here to help you select the right power conversion solution for your EV application. We can provide you with expert advice on everything from product selection to system design.

Customer Service: We are committed to providing customers with the best possible service. We have a team of dedicated customer service representatives who are available to answer your questions and help with your orders.

Diverse Supplier: We are a WBENC-certified, woman-owned company committed to diversity and inclusion within our industry. This certification allows us to partner with companies seeking diverse suppliers, ensuring they fulfill their own commitment to responsible sourcing.

Competitive Pricing: We offer our products at competitive prices, without compromising on quality or performance. We are confident that you will find the best value for your money at MicroPower Direct.

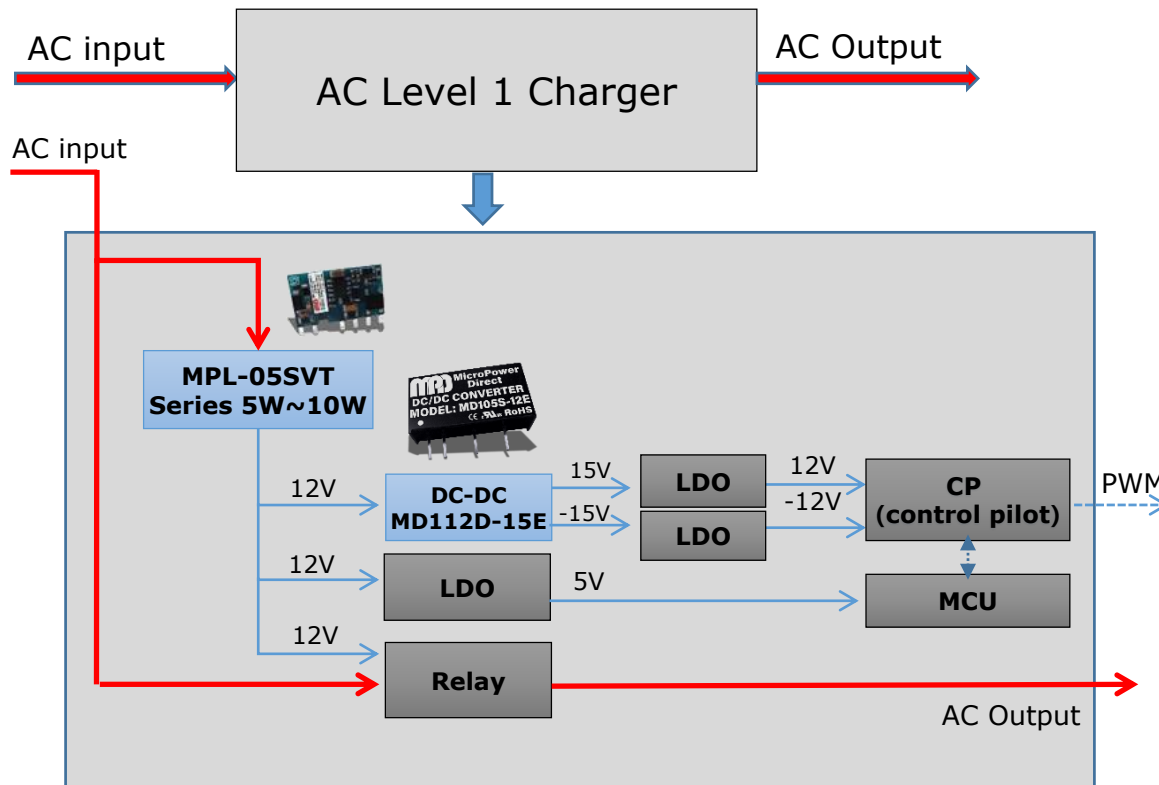


AC charger	Main Features and Considerations	AC/DC Recommended	DC/DC Recommended
 <p data-bbox="204 796 349 825">AC Level 1</p>	<p data-bbox="523 676 765 705">Large quantities</p> <p data-bbox="523 729 664 758">Low price</p> <p data-bbox="523 782 823 811">Low charging power</p> <p data-bbox="523 835 722 863">Compact size</p> <p data-bbox="523 888 942 916">Wide operating temperature</p> <p data-bbox="523 941 871 969">Good EMC performance</p>	<p data-bbox="977 534 1248 562">MPM-SVLD 5-10W</p> <p data-bbox="977 586 1219 615">MPL-SVT 5-10W</p> 	<p data-bbox="1431 629 1740 658">Fixed input 0.25-3W</p> <p data-bbox="1483 682 1754 711">MD100E, MD200E</p> <p data-bbox="1431 735 1850 763">Switching regulators 0.5-16A</p> <p data-bbox="1483 788 1647 816">MSR7800W</p>
 <p data-bbox="204 1136 349 1165">AC Level 2</p>		<p data-bbox="977 893 1267 922">MPM-SVLD 10-90W</p> <p data-bbox="977 946 1219 975">MPR-SP 30-60W</p> 	

**MICROPOWER
DIRECT**

MPD Solution

AC Level 1



Portable chargers are compact and produced in large quantities.

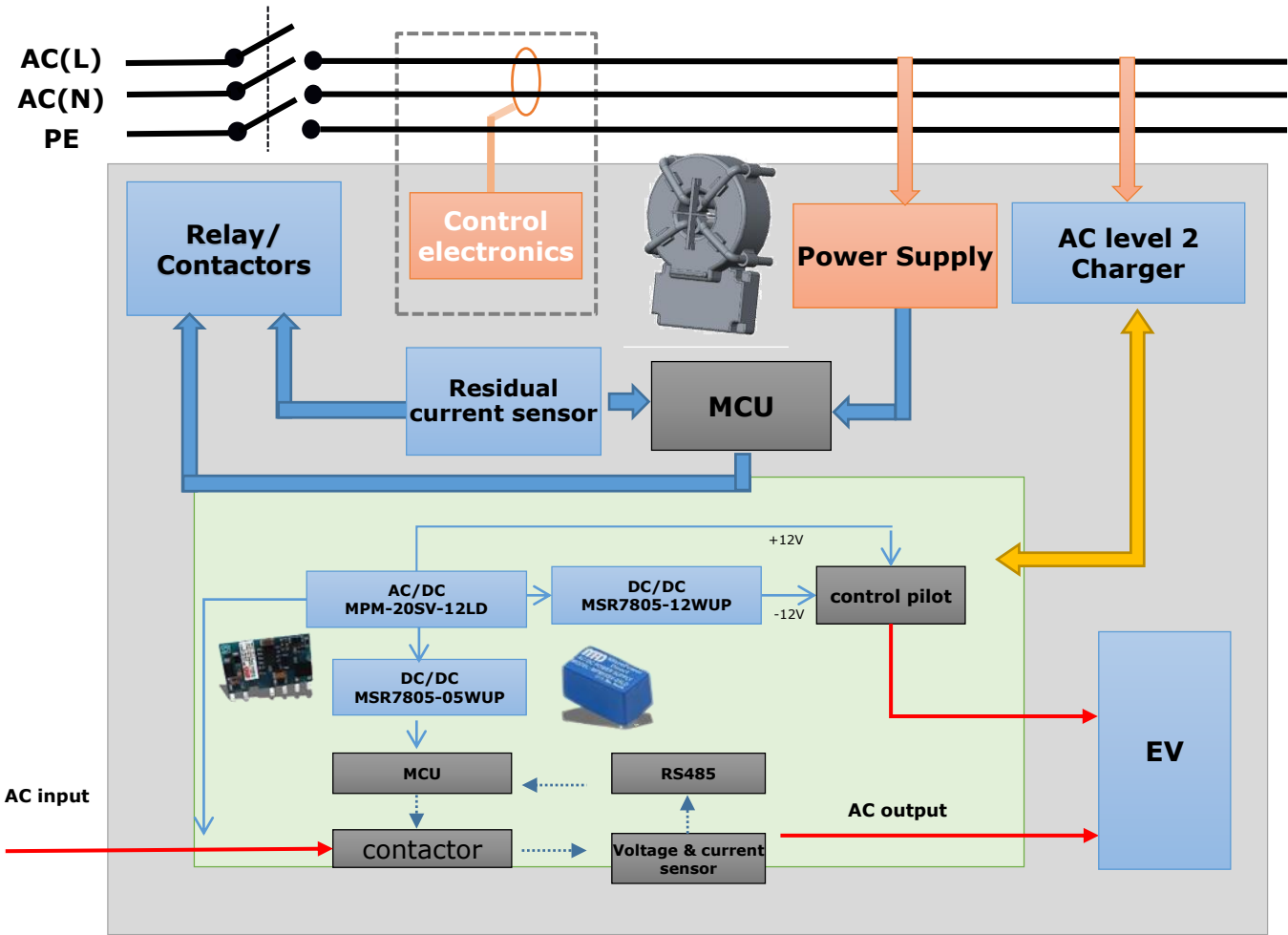
Key requirements for power supplies include low cost, small size and a wide operating temperature range.

*Control pilot needs $\pm 12V$ power supply with accuracy $\pm 6\%$

**MICROPOWER
DIRECT**

MPD Solution

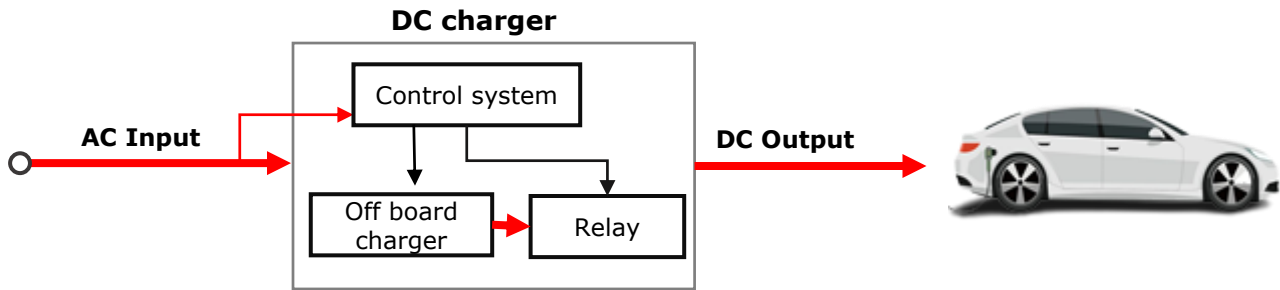
AC level 2



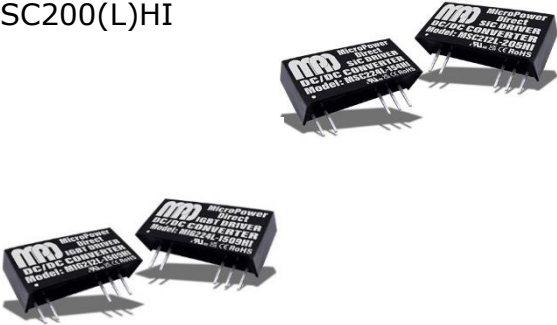



MicroPower Direct can provide the DC/DC and AC/DC power modules as well as the Residual Current Sensors needed in an AC Level 2 charger.

The residual current sensor ensures that the AC input of the system can be automatically disconnected when the charging system fails, to prevent serious electrical accidents.

**MICROPOWER
DIRECT**



EV charger	AC/DC Recommended	DC/DC Recommended
 <p data-bbox="212 1135 434 1163">DC fast charger</p>	<p data-bbox="598 535 898 642">Enclosed: MPE-SV 100-350W MPE-S 25-35W</p> 	<p data-bbox="1265 535 1767 778">Fixed Input Series Non-isolated switching regulators Wide Input Series MIG200(L)HI MSC200(L)HI</p> 
	<p data-bbox="598 863 898 971">Din-Rail: MDR-SP 15-150W MDR-SIF 120-480W</p> 	

**MICROPOWER
DIRECT**

Recommended EV Products

AC/DC Recommended Products for EV Applications

MPM-SVLD 3W – 90W – A series of compact AC/DC converters with a range of 3W to 90W. Features include a wide AC input, low power consumption, high efficiency, high reliability and reinforced isolation. The series offers EMC performance compliant to EN61000-4 and EN55032. All models are approved to UL 62368. They meet EN 60335 and EN61558 standards.

MPL-SVT 3 – 10W – A series of high efficiency AC/DC converters in a range of 3W to 10W. Features include a wide input range accepting either an AC or DC voltage, high reliability, low power consumption and reinforced isolation.

MDR-SP 15 – 150W – A series of cost-effective, energy efficient DIN-rail AC/DC power supplies with a power range of 15W to 150W. The series packaging is industry standard. Features include 4,000 VAC I/O isolation, universal 85-264 AC input and operation from -40°C to +70°C. Most models are approved to UL 62368. All models meet EN 61558 and EN 55032 B.

MDR-SIF 120 – 480W - Another series of cost-effective, energy efficient DIN-rail AC/DC supplies. These units have a power range of 120W to 480W. This industry standard series is light weight and has a compact design. Features include a high level of stability and immunity to noise for EV charging stations. Also included are good EMC performance and compliance with international IEC/EN/UL/BS EN 62368, UL61010 standards.

MPE-SV 15 – 1000W - A series of low cost enclosed AC/DC converters in a range of 15W to 1000W. Features include a universal AC input, low no load power consumption, high efficiency and high reliability. They offer excellent EMC performance and meet IEC/EN61000-4, EN55032, and UL/EN62368.

* Link directs you to one of the product pages in the product series

**MICROPOWER
DIRECT**

Recommended EV Products

DC/DC Recommended Products for EV Applications

MD100E and **MD200E** – A 1W or 2W isolated DC/DC converter with a fixed input voltage and unregulated dual/single outputs. Features include continuous short-circuit protection, an operating ambient temperature range of -40°C to +105°C, high efficiency up to 85% and an industry standard pin-out.

MIG200HI – A “Wide Gap”, 5 kV ISO IGBT MOSFET Driver DC/DC Converter. Features include high efficiency up to 87%, a SIP package, 5,000 VAC I/O isolation, an operating temperature range of 40°C to +105°C, continuous short-circuit protection and industry standard pin-out.

MicroPower Direct offers a wide variety of DC/DC converters designed for the requirements of SiC and IGBT control circuits.

Switching Regulator Recommended Product for EV Applications

MSR7800W 5-20 – A series of single output, non-isolated, wide input POL switching regulators from 500 mA to 2A. Features include high efficiency up to 96%, an operating ambient temperature range of -40°C to +85°C and output short-circuit protection.

MicroPower Direct offers a wide variety of POL regulators that feature different power levels, voltage ranges and packaging options.

* Link directs you to one of the product pages in the product series

**MICROPOWER
DIRECT**

Tell us about your project!

Our team of experts will collaborate with you to find the perfect power solution tailored to your specific needs.



**MICROPOWER
DIRECT**