

MR1511S Series

Ultra-Wide Input, 15W Compact, Railway DC/DC Converters



Key Features:

- 15W Output Power
- 40 - 160 VDC Input Range
- Meets EN 60950, EN 50155
- 1,500 VDC Isolation
- Efficiency to 89%
- Compact 1 x 2 Inch Case
- -40°C to +85°C Operation
- Industry Standard Pin-Out
- Chassis Mount Option
- DIN Rail Mount Option



Electrical Specifications

Specifications typical @ +25°C, nominal input voltage & rated output current, unless otherwise noted. Specifications subject to change without notice.

Input

Parameter	Conditions	Min.	Typ.	Max.	Units
Input Voltage Range		40.0	110.0	160.0	VDC
Input Start Voltage				39.8	VDC
Under Voltage Shutdown	I _{OUT} = 100%	36.0			VDC
Input Filter	π (Pi) Filter				

Output

Parameter	Conditions	Min.	Typ.	Max.	Units
Output Voltage Accuracy			±1.0	±3.0	%
Output Trim Range			±10		%
Line Regulation	V _{IN} = Min to Max		±0.2	±0.5	%
Load Regulation	I _{OUT} = 10% to 100%		±0.5	±1.0	%
Ripple & Noise (20 MHz)	See Note 1		75	100	mV P - P
Transient Recovery Time, See Note 2	25% Load Step Change		500	800	μS
Transient Response Deviation			±3.0	±5.0	%
Output Power Protection		110	130	170	%
Temperature Coefficient			±0.02		%/°C
Output Short Circuit, See Note 3	Continuous (Autorecovery)				

General

Parameter	Conditions	Min.	Typ.	Max.	Units
Isolation Voltage	60 Seconds	1,500			VDC
Isolation Resistance	500 VDC	1,000			MΩ
Isolation Capacitance	100 kHz/0.1V		2,000		pF
Switching Frequency			300		kHz

Environmental

Parameter	Conditions	Min.	Typ.	Max.	Units
Operating Temperature Range	Ambient	-40	+25	+85	°C
Operating Temperature Range	Case			+105	°C
Storage Temperature Range		-55		+125	°C
Cooling	Free Air Convection				
Humidity	RH, Non-condensing			95	%

Physical

Case Size	See Mechanical Diagram (Page 4)				
Case Material	Aluminum Alloy With Non-Conductive Base (UL94-V0)				
Weight					0.99 Oz (28g)

Remote On/Off

Parameter	Conditions	Min.	Typ.	Max.	Units
Unit On	See Note 4	2.5		12.0	VDC
Unit Off	See Note 4	0		1.2	VDC
Off Idle Current			1.0		mA

Reliability Specifications

Parameter	Conditions	Min.	Typ.	Max.	Units
MTBF	MIL HDBK 217F, 25°C, Gnd Benign	1.0			MHours
Vibration, 5 - 150 Hz	Displacement Range			7.5 mm	
	Acceleration			2G	

Absolute Maximum Ratings

Parameter	Conditions	Min.	Typ.	Max.	Units
Input Voltage Surge (1 Sec)		-0.7		200.0	VDC
Lead Temperature	1.5 mm From Case for 10 Sec			300	°C

Caution: Exceeding Absolute Maximum Ratings may damage the module. These are not continuous operating ratings.

MicroPower Direct

292 Page Street
Suite D
Stoughton, MA 02072
USA

T: (781) 344-8226
F: (781) 344-8481
E: sales@micropowerdirect.com
W: www.micropowerdirect.com



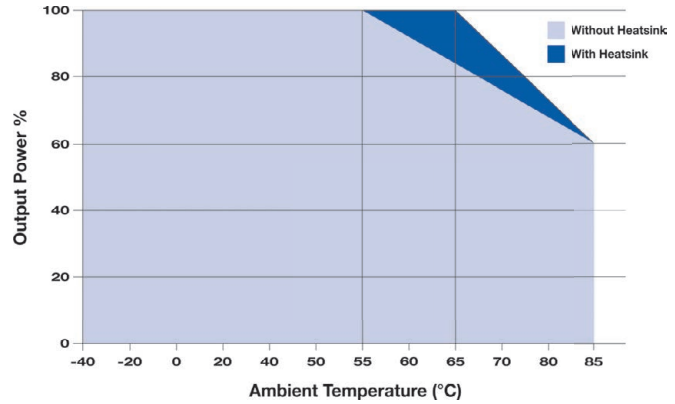
www.micropowerdirect.com

Model Number	Input				Output			Efficiency (% Typ)	Over Voltage Protection (VDC Typ)	Capacitive Load (µF, Max)	Fuse Rating Slow-Blow (mA)
	Voltage (VDC)		Current (mA)		Voltage (VDC)	Current (mA, Max)	Current (mA, Min)				
	Nominal	Range	Full-Load	No-Load							
MR1511S-03RU	110	40 - 160	120	15	3.3	4,000	200	87	4.1	4,020	300
MR1511S-05RU	110	40 - 160	153	15	5.0	3,000	150	89	6.2	4,020	300
MR1511S-12RU	110	40 - 160	155	8	12.0	1,250	63	88	15.0	1,600	300
MB1511S-15RU	110	40 - 160	155	8	15.0	1,000	50	88	18.0	1,000	300
MB1511S-24RU	110	40 - 160	155	8	24.0	625	32	88	28.8	470	300

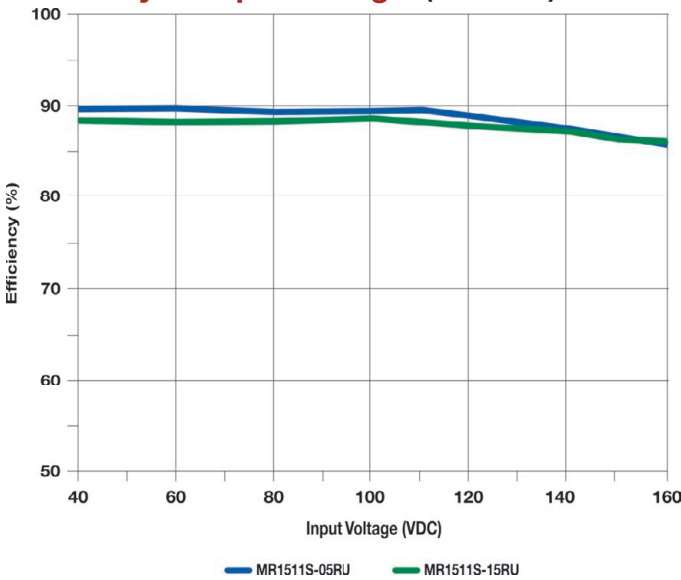
Notes:

- When measuring output ripple, it is recommended that an external ceramic capacitor (approx 10 µF) be placed from the +Vout to the -Vout pins.
- Transient recovery is measured to within a 1% error band for a load step change of 25%.
- Short circuit protection is provided by a "hiccup mode" circuit.
- The maximum control current at the on/off pin (pin 6) during a logic high is 50 µA. The maximum control current to the on/off pin at logic low (-0.7V to 0.8V) is 1 mA. If the on/off pin is left open, the unit operates. If it is grounded, the unit will shut off.
- These units should not be operated with a load under 5% of full load. Operation at no-load will not damage the unit, but they may not meet all specifications.
- These units should not be operated over +85°C. Exceeding +85°C may damage the unit.
- It is recommended that a fuse be used on the input of a power supply for protection. See the Model Selection table above for the correct rating.

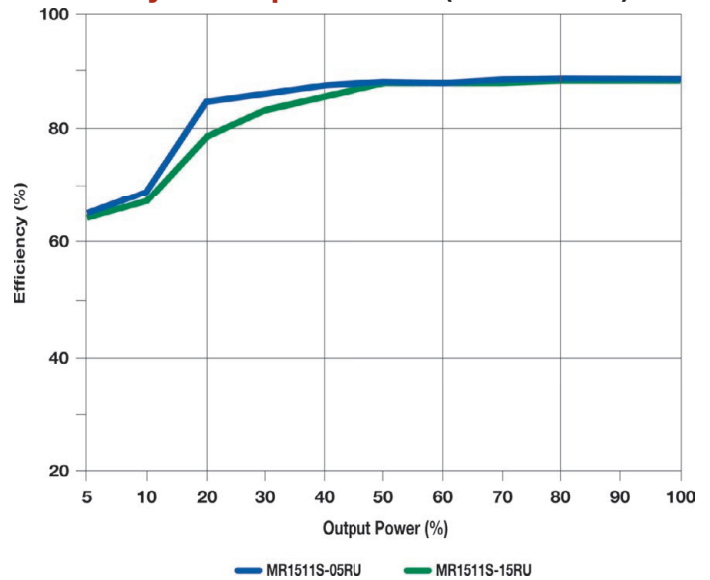
Derating Curve



Efficiency vs Input Voltage (Full Load)

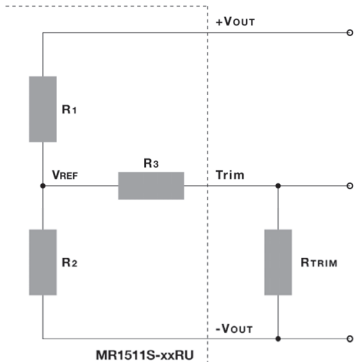


Efficiency vs Output Power (VIN= 110 VDC)

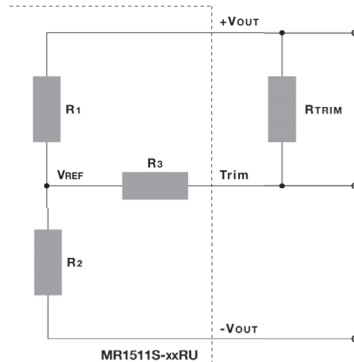


External Trim

Trim Up



Trim Down



External Trim Notes:

On single output units, an external resistor can be used to adjust the converter output up/down by about 10%. The connection is shown in the diagram at left. The required resistor value is calculated by the formulas:

$$\text{Trim UP} = R_{\text{TRIM}} = \frac{A \cdot R_2}{R_2 - A} - R_3 \quad \text{Where } A = \frac{V_{\text{REF}}}{V_{\text{TRIM}} - V_{\text{REF}}} \cdot R_1$$

$$\text{Trim Down} = R_{\text{TRIM}} = \frac{A \cdot R_1}{R_1 - A} - R_3 \quad \text{Where } A = \frac{V_{\text{TRIM}} - V_{\text{REF}}}{V_{\text{REF}}} \cdot R_2$$

Where R_{TRIM} = Value of the external trim resistor
 V_{TRIM} = Amount of voltage adjustment required

The value of R₁, R₂, R₃ and V_{REF} are given in the table below.

Parameter	Output Voltage (VDC)				
	3.3	5.0	12	15	24
R ₁ (kΩ)	4.801	2.883	10.971	14.497	24.872
R ₂ (kΩ)	2.864	2.864	2.864	2.864	2.864
R ₃ (kΩ)	15.00	10.00	17.80	17.80	20.00
V _{REF} (V)	1.24	2.50	2.50	2.50	2.50



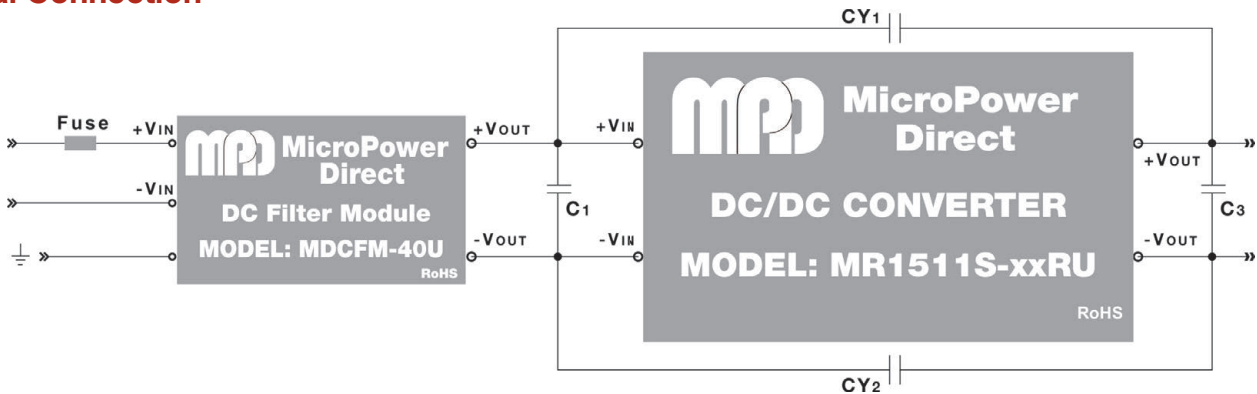
EMC Specifications

Parameter	Standard	Criteria	
Transient Input Voltage, See Note 1	RIA 12	A	385V/20mS Criteria A
Maximum Input Voltage, See Note 2	EN 50155	B	1,800V (5/50 μ S, 50 OR 100 Ω)
		B	8,400V (0.05/0.1 μ S, 100 Ω)
Radiated Emissions, See Note 3	EN 55022		Class B
Conducted Emissions, See Note 3	EN 55022		Class B
ESD	EN 61000-4-2	B	\pm 6 kV Contact
RS	EN 61000-4-3	A	10V/m
EFT, See Note 4	EN 61000-4-4	B	\pm 2 kV
Surge, See Note 5	EN 61000-4-5	B	\pm 2 kV/ \pm 4 kV
CS	EN 61000-4-6	A	3 Vrms
Voltage Dips	EN 61000-4-29	B	0% - 70%

Notes:

1. With a pulse interval that is >60S. Requires the addition of the filter module **MDCFM-40U** (or a similar discrete filter circuit) as shown in the circuit/board layout diagrams below. Contact the factory for more information.
2. With a pulse interval that is >60S. Requires the addition of the filter module **MDCFM-40U** (or a similar discrete filter circuit) as shown in the circuit/board layout diagrams below. Contact the factory for more information.
3. All units will meet class B with the addition of the **MDCFM-40U** (or a similar discrete filter circuit) as shown in the circuit/board layout diagrams below. Contact the factory for more information.
4. To meet the requirements of EN 61000-4-4 (\pm 2 kV), external components are needed. This can be done discretely, or with the addition of the **MDCFM-40U**. Contact the factory for more information.
5. To meet the requirements of EN 61000-4-5 (\pm 2 kV/ \pm 4 kV), external components are needed. This can be done discretely, or with the addition of the **MDCFM-40U**. Contact the factory for more information.

Typical Connection



The diagram above illustrates a typical connection of the **MR1511S** series. The **MDCFM-40U** filter module is used to make the circuit compliant with input surge and EMC standards EN 55022, EN61000 and EN 50155. This can also be accomplished by using external filter components as shown in the board layout drawing below. Some notes on these components are:

1. It is recommended that an external fuse be used. The recommended fuse is shown in the model chart on page 2.
2. An external MOV is recommended on the input to protect the unit in the event of a surge. A recommended value is given in the table at right.
3. An external TVS is recommended on the input to protect the unit in the event of a voltage spike. A recommended value is given in the table at right.
4. The output filtering capacitor (C3) is a high frequency, low resistance electrolytic capacitor. Care must be taken in choosing this capacitor not to exceed the capacitive load specification for the unit. Voltage derating of capacitors should be 80% or above.

5. Suggested component values are:

Component	Value
MOV	S14K130
L1	56 μ H
TVS	SMCJ170A
C1	100 μ F/200V
C3	1.0 μ F/50V
L2	4.7 μ H
CY1, CY2	1,000 pF/2 kV

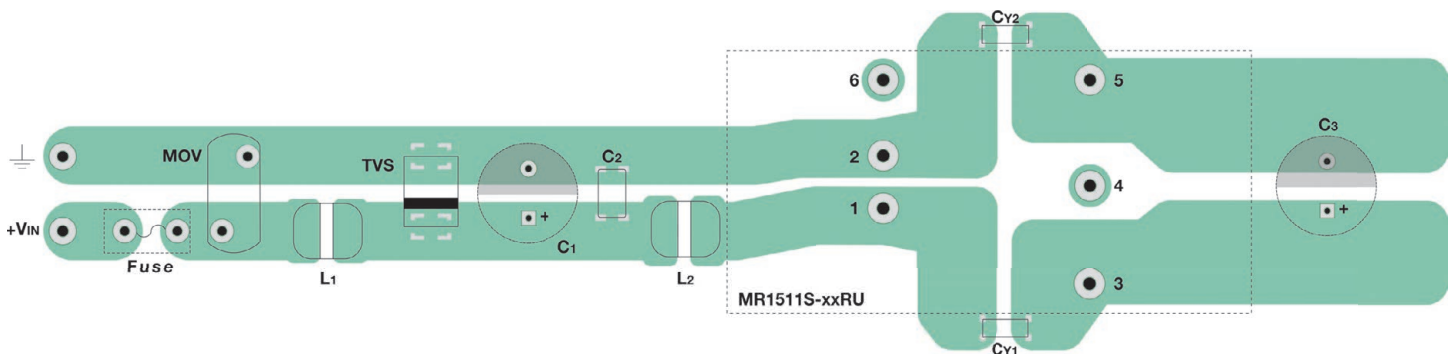
6. Input noise and surge suppression modules are available for a number of **MPD** DC/DC power supplies. For use with

the **MRxx11S** product series, the **MDCFM-40U** DC filter modules are recommended. For pricing or full technical information, please contact the factory.

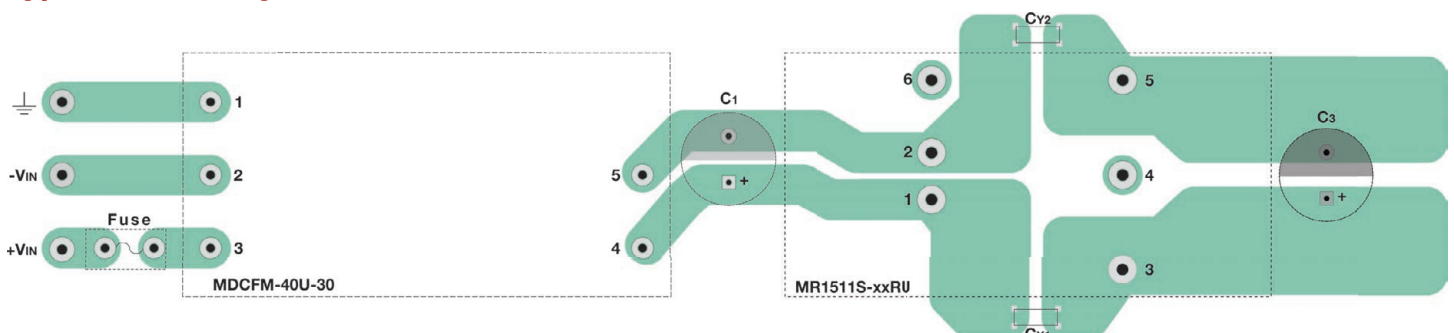
7. In many applications simply adding input/output capacitors will enhance the input surge protection and reduce output ripple sufficiently. In this case, the capacitors C1 and C3 would be connected as shown without the other filter components. Recommended capacitor values are given in the table above.

Vin (VDC)	Input Capacitor	Vout (VDC)	Output Capacitor
110	100 μ F	3.3	470 μ F
		5	470 μ F
		12	220 μ F
		15	220 μ F
		24	100 μ F

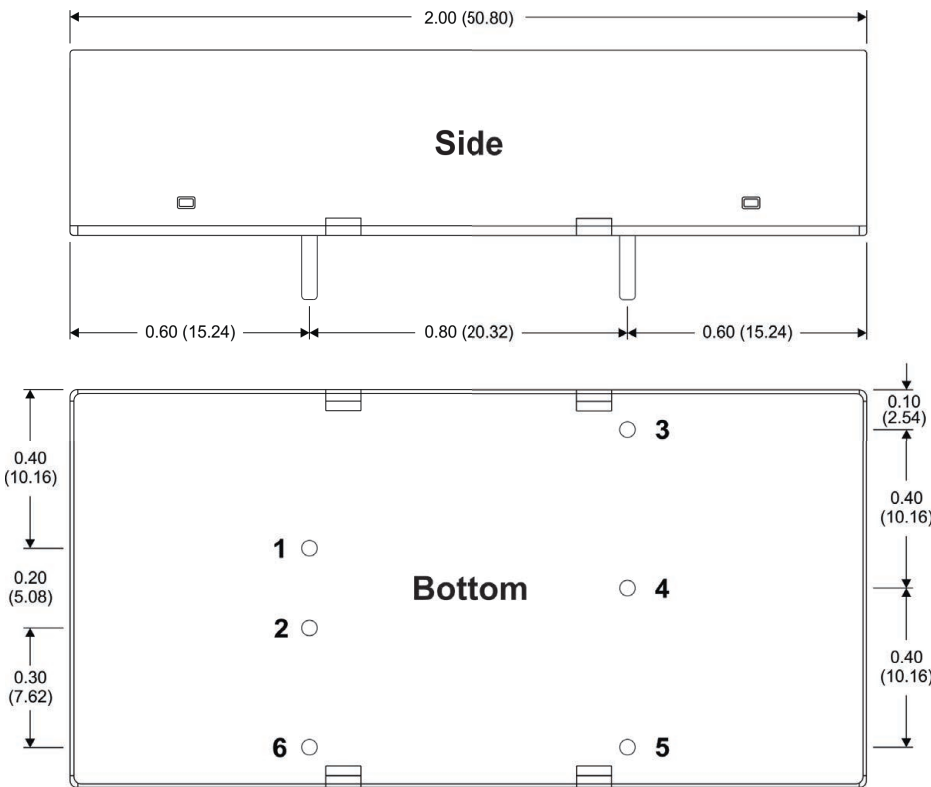
Typical Board Layout: With External Filter/Surge Components



Typical Board Layout: With External Filter Module



Mechanical Dimensions



Pin Connections

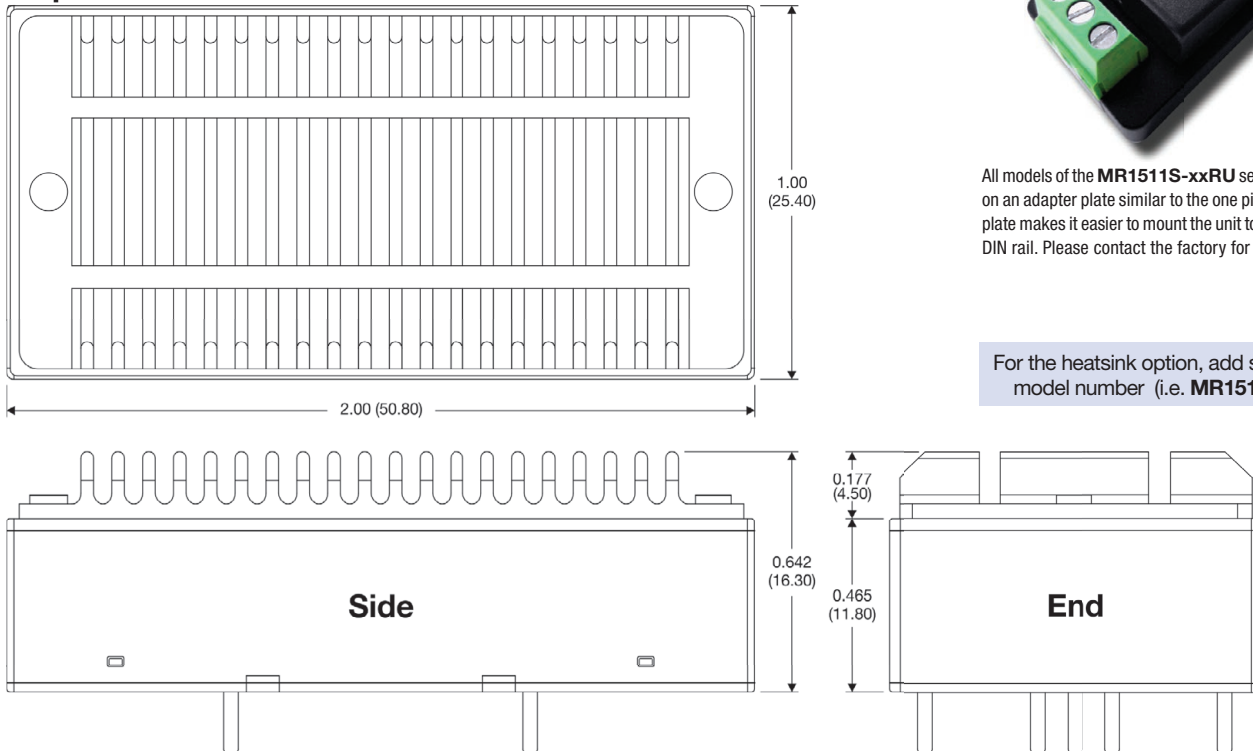
1	+VIN	1	+VIN
2	-VIN	2	-VIN
3	+VOUT	3	+VOUT
4	Trim	4	Common
5	-VOUT	5	-VOUT
6	Remote On/Off	6	Remote On/Off

Adapter Plate



All models of the **MR1511S-xxRU** series are available mounted on an adapter plate similar to the one pictured above. The adapter plate makes it easier to mount the unit to a chassis or to a standard DIN rail. Please contact the factory for more information.

Mechanical Dimensions: With Optional Heatsink Top



For the heatsink option, add suffix "H" to the model number (i.e. **MR1511S-xxRU-H**)



MicroPower Direct
We Power Your Success - For Less!

Notes:

- All dimensions are typical in inches (mm)
- Tolerance x.xx = ±0.02 (±0.50)