

MACFM-02B

Wide Input, AC Encapsulated EMC Filter Module



Key Features:

- 85 to 305 VAC Input
- Compact Case
- 30 dB Attenuation
- -40°C to +85°C Operation
- Chassis Mount Option
- DIN Rail Mount Option
- Low Cost

Electrical Specifications

Specifications typical @ +25°C, nominal input voltage & rated output current, unless otherwise noted. Specifications subject to change without notice.

Input

Parameter	Conditions	Min.	Typ.	Max.	Units
Input Voltage Range, See Note 1		85		305	VAC
Nominal Current, See Note 2				1.5	A

General

Parameter	Conditions	Min.	Typ.	Max.	Units
Test Voltage	60 Sec, 1 mA Leakage Current		2,000		VAC
Frequency Attenuation		30			dB
Conducted Emissions	EN 55022	Class B			
Surge	EN 61000-4-5	Criteria B; ±2 kV (1.2 μS/50 μS 2Ω) Criteria B; ±6 kV (1.2 μS/50 μS 12Ω)			

Parameter	Conditions	Min.	Typ.	Max.	Units
Operating Temperature Range	Ambient	-40	+25	+85	°C
Storage Temperature Range		-55		+125	°C

Cooling	Free Air Convection				
Humidity	RH, Non-condensing			95	%

Physical

Case Size	Module	See Mechanical Drawing (Page 2)
	Chassis (A2) Mount	See Mechanical Drawing (Page 2)
	DIN (A4) Mount	See Mechanical Drawing (Page 2)
Case Material	Non-Conductive Black Plastic (UL94-V0)	
Weight	Module	1.77 Oz (50g)
	Chassis (A2) Mount	2.48 Oz (70g)
	DIN (A4) Mount	3.19 Oz (90g)



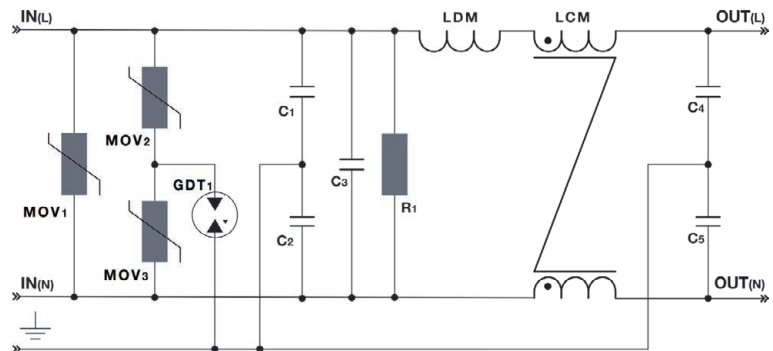
Notes:

1. The Max input voltage level of the power supply must be less than the maximum specified input of the **MACFM-02B**.
2. The Max input current of the power supply must be less than the maximum specified nominal current of the **MACFM-02B**.

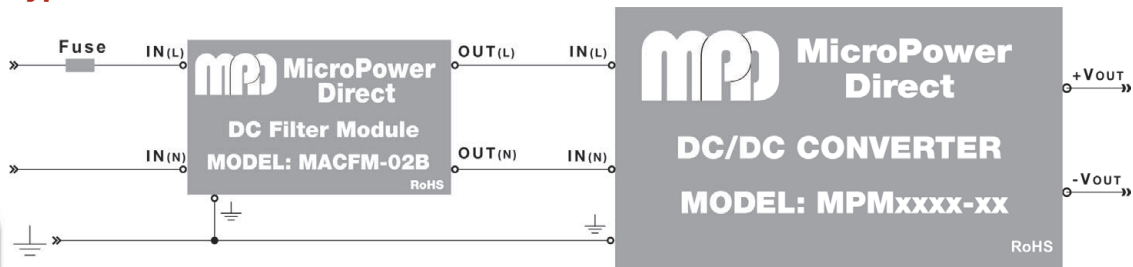
MACFM-02B filter modules operate with many standard **MPD** AC/DC power supplies.

With these modules, most AC power supplies will meet the surge requirements of EN 61000-4-5 and the EMS requirements of EN 55022. Contact the factory for information on our full range of filter products.

Schematic



Typical Connection



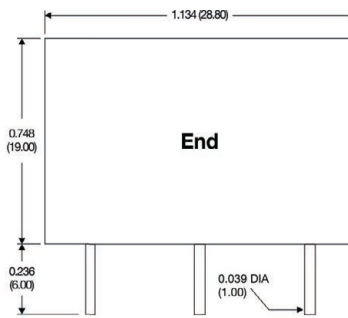
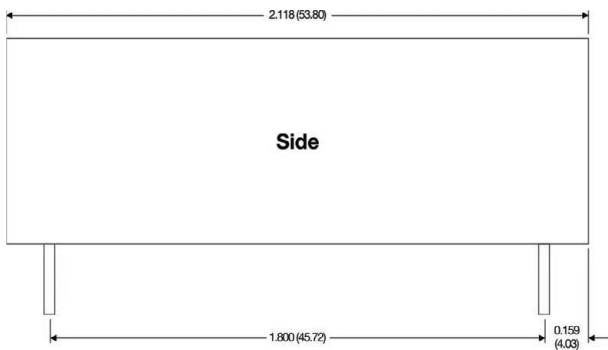
MicroPower Direct

292 Page Street
Suite D
Stoughton, MA 02072
USA

T: (781) 344-8226
F: (781) 344-8481
E: sales@micropowerdirect.com
W: www.micropowerdirect.com



Mechanical Dimensions

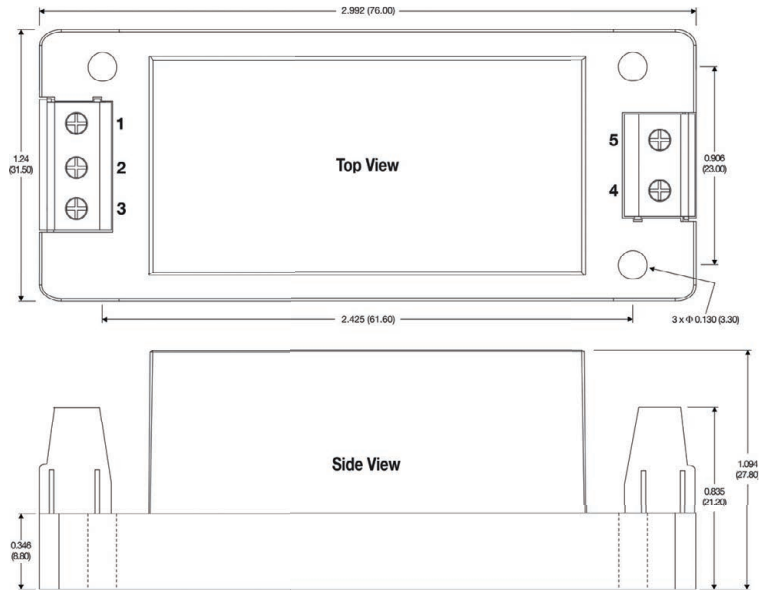


Pin Connections

Pin	Function
1	GND
2	IN(N)
3	IN(L)
4	OUT(L)
5	OUT(N)



Mechanical Dimensions: With Chassis Mount Option (A2)



The **MACFM-02B** is available mounted on an adapter plate for mounting to a chassis or on a DIN rail. Mechanical dimensions for these adapters are shown at right. The photo below shows a product mounted on a similar adapter. Please contact the factory for more information.

For the chassis mount option, add suffix "A2" to the model number (i.e. **MACFM-02B-A2**)

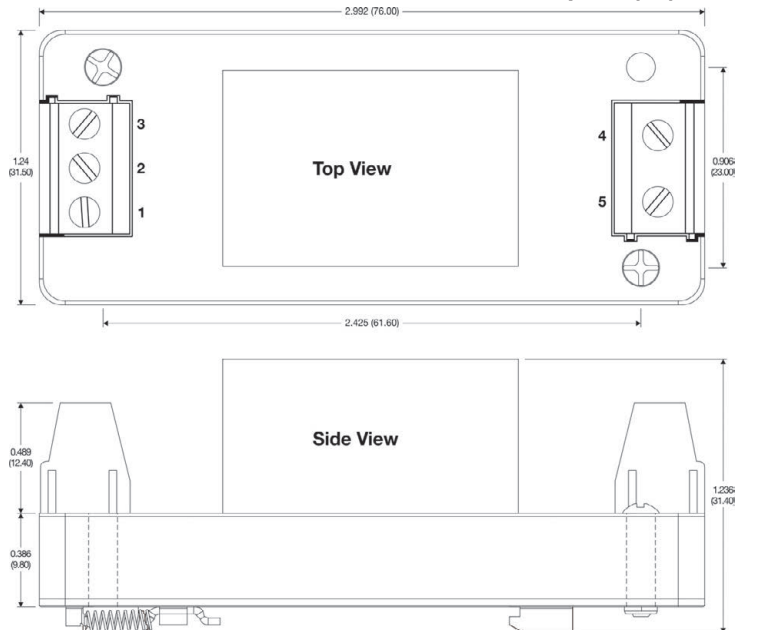
For the DIN rail mount option, add suffix "A4" to the model number (i.e. **MACFM-02B-A4**)

Pin Connections

Pin	Function
1	GND
2	IN(N)
3	IN(L)
4	OUT(L)
5	OUT(N)

Connection is the same for A2 & A4

Mechanical Dimensions: With DIN Rail Option (A4)



MicroPower Direct
We Power Your Success - For Less!

292 Page Street Ste D Stoughton, MA 02072 • TEL: (781) 344-8226 • FAX: (781) 344-8481 • E-Mail: sales@micropowerdirect.com

Notes:

- All dimensions are typical in inches (mm)
- Tolerance x.xx = ±0.02 (±0.50)
- Wire range for A2 & A4 connection is 24 - 12 AWG