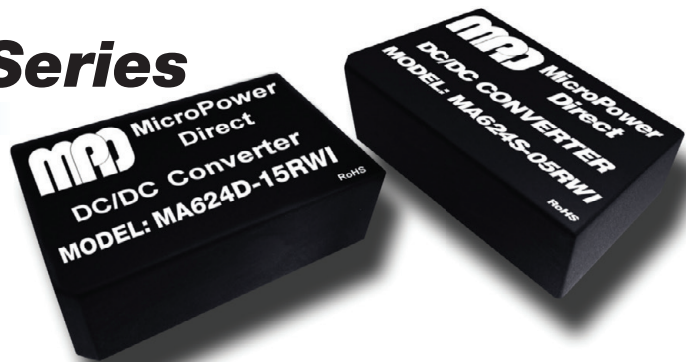


MA600RWI Series

Wide 2:1 Input, 6W, High 3 kVDC Isolation DC/DC Converters



Key Features:

- 6W Output Power
- 2:1 Input Voltage Range
- 3,000 VDC Isolation
- 24 Standard Models
- Single & Dual Outputs
- Compact DIP Case
- -40°C to +85°C Operation
- Industry Standard Pin-Out

1.5 kV Isolation
Models
Available

4:1 Input Range
Models
Available

RoHS



MicroPower Direct

292 Page Street
Suite D
Stoughton, MA 02072
USA

T: (781) 344-8226
F: (781) 344-8481
E: sales@micropowerdirect.com
W: www.micropowerdirect.com



Electrical Specifications

Specifications typical @ +25°C, nominal input voltage & rated output current, unless otherwise noted. Specifications subject to change without notice.

Input						
Parameter	Conditions	Min.	Typ.	Max.	Units	
Input Start Voltage	12 VDC Input	7.0	8.0	9.0	VDC	
	24 VDC Input	14.0	16.0	18.0		
	48 VDC Input	32.0	34.0	36.0		
Under Voltage Shutdown	12 VDC Input			8.5	VDC	
	24 VDC Input			16.0		
	48 VDC Input			35.0		
Input Filter	π (Pi) Filter					
Output						
Parameter	Conditions	Min.	Typ.	Max.	Units	
Output Voltage Accuracy			±1.0	±2.0	%	
Output Voltage Balance	Dual Output, Balanced Loads		±1.0	±2.0	%	
Line Regulation	V _{IN} = Min to Max		±0.1	±0.5	%	
Load Regulation	I _{OUT} = 0% to 100%		±0.6	±1.2	%	
Ripple & Noise (20 MHz)	See Note 1			70	mV P - P	
	Over Line, Load & Temp.			100		
Transient Recovery Time, See Note 2			300	600	μSec	
Transient Response Deviation	25% Load Step Change		±3.0		%	
Temperature Coefficient			±0.01	±0.02	%/°C	
Output Overload Protection	Foldback	110	145		%	
Output Short Circuit	Continuous (Autorecovery)					
General						
Parameter	Conditions	Min.	Typ.	Max.	Units	
Isolation Voltage	60 Seconds	3,000			VDC	
Isolation Resistance	500 VDC	1,000			MΩ	
Isolation Capacitance	100 kHz/1.0V		1,000		pF	
Switching Frequency			330		kHz	
EMI Characteristics						
Parameter	Standard		Level			
Radiated Emissions	EN 55022		Class A			
Conducted Emissions	EN 55022		Class A			
ESD	EN 61000-4-2		Criteria A; ±8 kV Air ±6 kV Contact			
RS	EN 61000-4-3		Criteria A; 10V/m			
EFT	See Note 3	EN 61000-4-4	Criteria A; ±2 kV			
Surge	See Note 3	EN 61000-4-5	Criteria A; ±1 kV			
CS	EN 61000-4-6		Criteria A; 10V/m			
Environmental						
Parameter	Conditions	Min.	Typ.	Max.	Units	
Operating Temperature Range	Ambient	-40	+25	+85	°C	
Operating Temperature Range	Case			+100	°C	
Storage Temperature Range		-50		+125	°C	
Cooling	Free Air Convection					
Humidity	RH, Non-condensing			95	%	
Physical						
Case Size	1.25 x 0.80 x 0.40 Inches (31.75 x 20.32 x 10.16 mm)					
Case Material	Non-Conductive Black Plastic (UL94-V0)					
Weight	0.45 Oz (12.8g)					
Reliability Specifications						
Parameter	Conditions	Min.	Typ.	Max.	Units	
MTBF	MIL HDBK 217F, 25°C, Gnd Benign	1.0			MHours	
Absolute Maximum Ratings						
Parameter	Conditions	Min.	Typ.	Max.	Units	
Input Voltage Surge (1 Sec)	12 VDC Input	-0.7		25.0	VDC	
	24 VDC Input	-0.7		50.0		
	48 VDC Input	-0.7		100.0		
Lead Temperature	1.5 mm From Case for 10 Sec			260	°C	

Caution: Exceeding Absolute Maximum Ratings may damage the module. These are not continuous operating ratings.

www.micropowerdirect.com

Model Number	Input				Output			Efficiency (% Typ)	Reflected Ripple Current (mA Typ)	Capacitive Load (µF Max)	Fuse Rating Slow-Blow (mA)
	Voltage (VDC)		Current (mA)		Voltage (VDC)	Current (mA, Max)	Current (mA, Min)				
	Nominal	Range	Full-Load	No-Load							
MA612S-03RWI	12	9.0 - 18.0	440	40	3.3	1,200.0	0.0	75	30.0	470	1,500
MA612S-05RWI	12	9.0 - 18.0	641	40	5.0	1,200.0	0.0	78	30.0	470	1,500
MA612S-12RWI	12	9.0 - 18.0	609	40	12.0	500.0	0.0	82	30.0	100	1,500
MA612S-15RWI	12	9.0 - 18.0	609	40	15.0	400.0	0.0	82	30.0	100	1,500
MA612S-24RWI	12	9.0 - 18.0	595	40	24.0	250.0	0.0	84	30.0	47	1,500
MA612D-05RWI	12	9.0 - 18.0	534	40	±5.0	±500.0	±0.0	78	30.0	±100	1,500
MA612D-12RWI	12	9.0 - 18.0	609	40	±12.0	±250.0	±0.0	82	30.0	±100	1,500
MA612D-15RWI	12	9.0 - 18.0	609	40	±15.0	±200.0	±0.0	82	30.0	±100	1,500
MA624S-05RWI	24	18.0 - 36.0	214	20	3.3	1,200.0	0.0	77	20.0	470	700
MA624S-05RWI	24	18.0 - 36.0	313	20	5.0	1,200.0	0.0	80	20.0	470	700
MA624S-12RWI	24	18.0 - 36.0	298	20	12.0	500.0	0.0	84	20.0	100	700
MA624S-15RWI	24	18.0 - 36.0	298	20	15.0	400.0	0.0	84	20.0	100	700
MA624S-24RWI	24	18.0 - 36.0	298	20	24.0	250.0	0.0	84	20.0	47	700
MA624D-05RWI	24	18.0 - 36.0	260	20	±5.0	±500.0	±0.0	80	20.0	±100	700
MA624D-12RWI	24	18.0 - 36.0	298	20	±12.0	±250.0	±0.0	84	20.0	±100	700
MA624D-15RWI	24	18.0 - 36.0	298	20	±15.0	±200.0	±0.0	84	20.0	±100	700
MA648S-03RWI	48	36.0 - 72.0	107	10	3.3	1,200.0	0.0	77	15.0	470	350
MA648S-05RWI	48	36.0 - 72.0	156	10	5.0	1,200.0	0.0	80	15.0	470	350
MA648S-12RWI	48	36.0 - 72.0	149	10	12.0	500.0	0.0	84	15.0	100	350
MA648S-15RWI	48	36.0 - 72.0	149	10	15.0	400.0	0.0	84	15.0	100	350
MA648S-24RWI	48	36.0 - 72.0	149	10	24.0	250.0	0.0	84	15.0	47	350
MA648D-05RWI	48	36.0 - 72.0	130	10	±5.0	±500.0	±0.0	80	15.0	±100	350
MA648D-12RWI	48	36.0 - 72.0	149	10	±12.0	±250.0	±0.0	84	15.0	±100	350
MA648D-15RWI	48	36.0 - 72.0	149	10	±15.0	±200.0	±0.0	84	15.0	±100	350

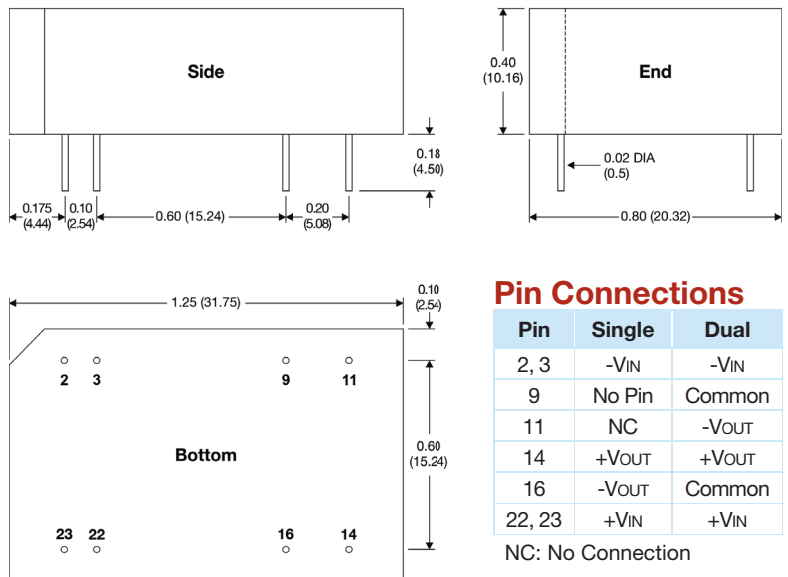
Notes:

- When measuring output ripple, it is recommended that an external 3.3 µF ceramic capacitor be placed from the +V_{out} pin to the -V_{out} pin for single output units and from each output to common for dual output units.
- Transient recovery is measured to within a 1% error band for a load step change of 75% to 100%.
- Operation at no-load will not damage these units.
- An external 220 µF/100V capacitor connected across the input pins is required to meet EN61000-4-4 and EN61000-4-5.
- Dual output units may be connected to provide a 10, 24 or 30 VDC output. To do this, connect the load across the positive (+V_{out}) and negative (-V_{out}) outputs and float the output common.
- The converter should be connected to a low ac-impedance source. An input source with a highly inductive impedance may affect the stability of the converter. In applications where the converter output loading is high and input power is supplied over long lines, it may be necessary to use a capacitor on the input to insure start-up. In this case, it is recommended that a low ESR (ESR <1.0Ω at 100 kHz) capacitor be mounted close to the converter. For 12V input units a 3.3 µF is recommended; and for 24V & 48V units a 2.2 µF.
- It is recommended that a fuse be used on the input of a power supply for protection. See the table above for the correct rating.

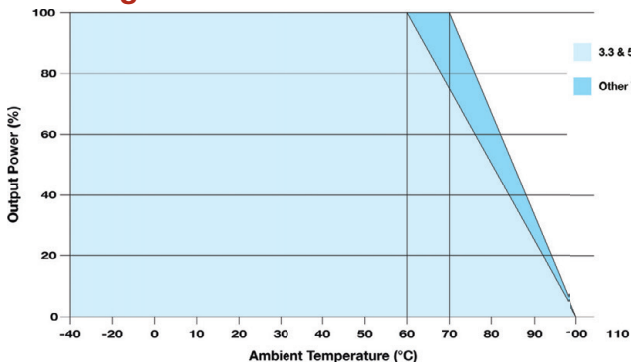
For 1.5 kV Isolation, See MA600x-xxRW Series Datasheet

For 4:1 Inputs, See MA600x-xxRU Series Datasheet

Mechanical Dimensions



Derating Curve



Pin Connections

Pin	Single	Dual
2, 3	-V _{IN}	-V _{IN}
9	No Pin	Common
11	NC	-V _{OUT}
14	+V _{OUT}	+V _{OUT}
16	-V _{OUT}	Common
22, 23	+V _{IN}	+V _{IN}

NC: No Connection



MicroPower Direct
We Power Your Success - For Less!

292 Page Street Ste D Stoughton, MA 02072 • TEL: (781) 344-8226 • FAX: (781) 344-8481 • E-Mail: sales@micropowerdirect.com

Mechanical Notes:

- All dimensions are typical in inches (mm)
- Tolerance x.x = ±0.02 (±0.50)
- Tolerance x.xx = ±0.01 (±0.25)