

MPM-25PB Series



Compact, Encapsulated, PC Board Mount, 25W AC/DC Power Supplies

Key Features:

- 25W Output Power
- Universal 90-264 VAC Input
- Miniature Size
- EN 60950 Approved (UL)
- Meets IEC Safety Class II
- -40°C to +70°C Temp Range
- Meets EN 55032 B
- >400 kHour MTBF



MicroPower Direct

292 Page Street
Suite D
Stoughton, MA 02072
USA

T: (781) 344-8226

F: (781) 344-8481

E: sales@micropowerdirect.com

W: www.micropowerdirect.com



Electrical Specifications

Specifications typical @ +25°C, 230 VAC input voltage & rated output current, unless otherwise noted. Specifications subject to change without notice.

Input

Parameter	Conditions	Min.	Typ.	Max.	Units
Input Voltage Range		90		264	VAC
		120		370	VDC
Input Frequency		47		440	Hz
Input Current	See Model Selection Guide				
Inrush Current	115 VAC			30.0	A Pk
	230 VAC			60.0	
Leakage Current				0.25	mA

Output

Parameter	Conditions	Min.	Typ.	Max.	Units
Output Voltage Accuracy			±2.0		%
Line Regulation	V _{IN} = Min to Max		±1.0		%
Load Regulation, See Note 1	5.1V Output		±3.0		%
	Other Outputs		±1.0		
Ripple/Noise, See Note 2	5.1V Output			120.0	mVp-p
	12V Output			150.0	
	15V Output			160.0	
	24V Output			240.0	
Hold-Up Time	230 VAC		36		mSec
Temperature Coefficient			±0.05		%/°C
Over Voltage Protection	Zener Diode Clamp				
Over Power Protection	Hiccup Mode (Autorecovery)				
Short Circuit Protection, See Note 4	Continuous (Autorecovery)				

General

Parameter	Conditions	Min.	Typ.	Max.	Units
Isolation Voltage	Input to Output	3,000			VAC
Isolation Resistance	500 VDC	100			MΩ
EMC	EMI (Conducted/Radiated Emissions)				EN 55032 Level B
	EMS (Noise Immunity)				EN 55024

Environmental

Parameter	Conditions	Min.	Typ.	Max.	Units
Operating Temperature Range	Ambient	-40	+25	+70	°C
Storage Temperature Range		-40		+85	°C
Cooling	Free Air Convection (See Derating Curve)				
Humidity	RH, Non-condensing			95	%

Physical

Case Size	See Mechanical Diagram (Page 2)				
Case Material	Non-Conductive Plastic Resin (UL94-V0)				
Weight	See Mechanical Diagram (Page 2)				

Reliability Specifications

Parameter	Conditions	Min.	Typ.	Max.	Units
MTBF	MIL HDBK 217F, 25°C, Gnd Benign	400			kHours
Safety Standards	UL/cUL 60950-1 recognition (UL certificate)				
Safety Class	IEC 61140 Class II				

www.micropowerdirect.com

Model Selection Guide

Model Number	Input		Voltage (VDC)	Output Current (mA)		Maximum Cap. Load (μF)	Efficiency (% Typ)
	Current (A)			Max.	Min.		
	115 VAC	230 VAC					
MPM-25S-05PB	0.490	0.320	5.1	3,922	0.0	2,000	82
MPM-25S-12PB	0.490	0.320	12.0	2,083	0.0	680	86
MPM-25S-15PB	0.490	0.320	15.0	1,666	0.0	220	85
MPM-25S-24PB	0.490	0.320	24.0	1,042	0.0	220	86

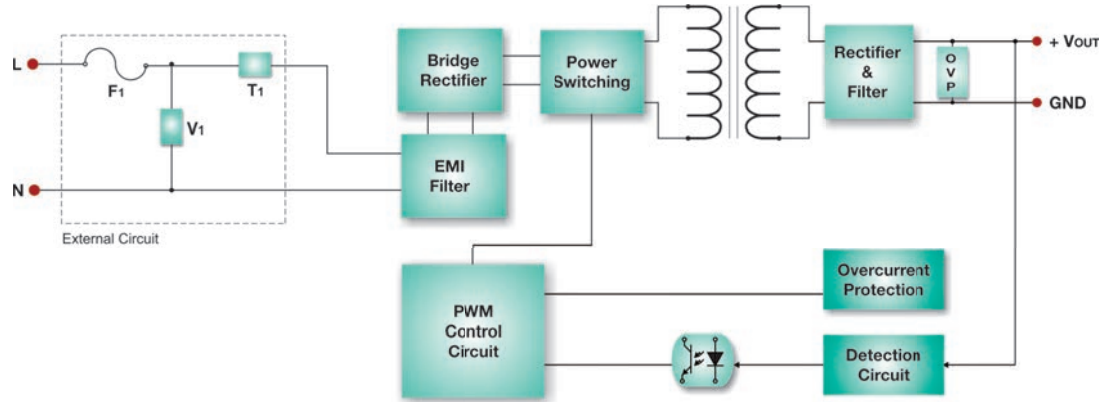
Notes:

- Ripple and noise are measured at 20 Mhz bandwidth with a 0.1 μF and a 47 μF capacitor connected in parallel as close to the unit output terminals as possible.
- Output short circuit protection is provided by a "hiccup mode" circuit. The unit recovers automatically when the fault condition is removed.
- Operation at under no load conditions will not damage these units.
- It is recommended that a fuse be used on the input of a power supply for protection. For the **MPM-20SPB** series, a 3.15A/250 VAC slow blow should be used.

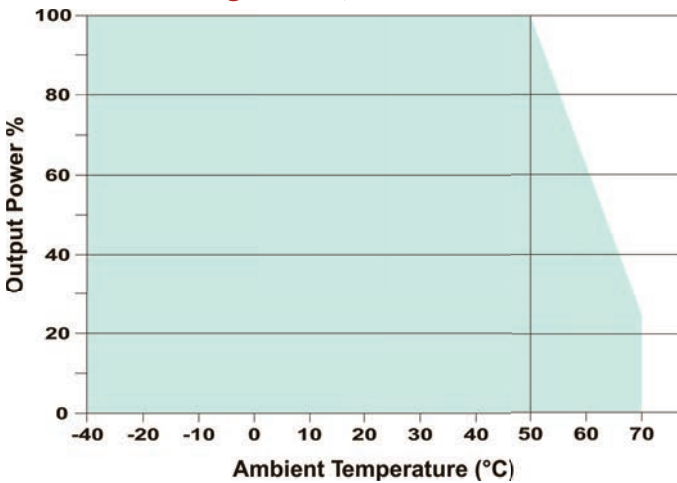
Block Diagram, With Input Components

The block diagram shows the input components required to meet specified operation. These include:

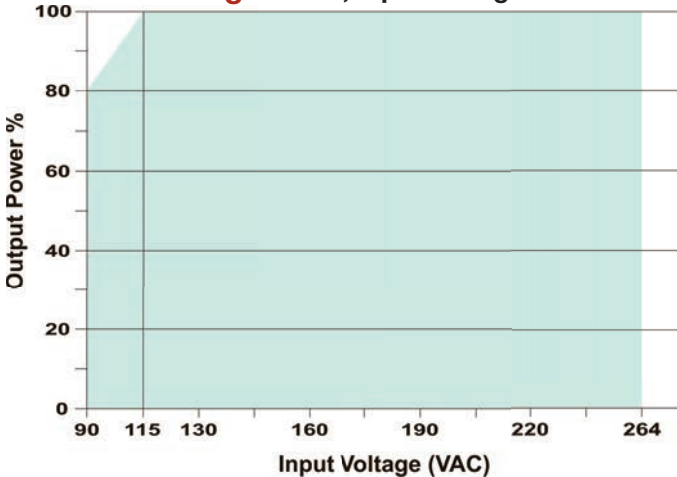
- The external fuse (F₁) is required to protect the supply from input line current surges. A 3.15A/250 VAC slow blow should be used.
- A varistor (V₁) is connected in parallel with the input to the AC module. The varistor is required to protect the power module against high voltage transients on the input line. A 14S471K is recommended.
- It is also recommended that a thermistor (T₁) be connected on the used on the input of the power supply for protection. For the **MPM-25SPB** series, a 10R/10Φ should be used.



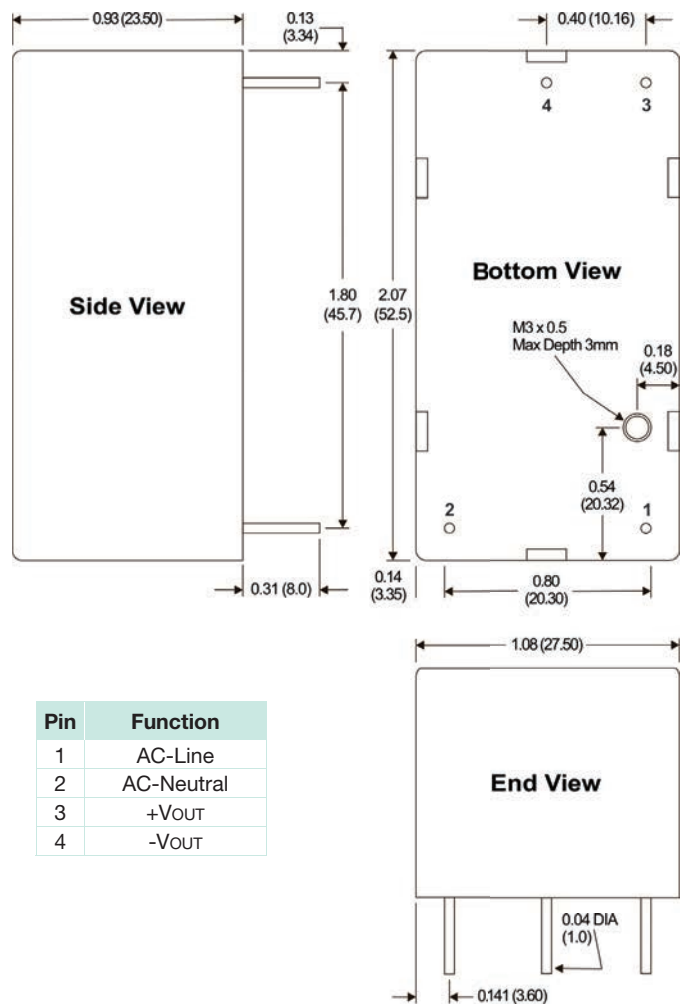
Power Derating Curve, Temperature



Power Derating Curve, Input Voltage



Mechanical Dimensions



Pin	Function
1	AC-Line
2	AC-Neutral
3	+V _{OUT}
4	-V _{OUT}

Notes:

- All dimensions are typical in inches (mm)
- Tolerance x.xx = ±0.01 (±0.25)
- Module Weight is: 2.19 Oz (62g)



MicroPower Direct
We Power Your Success - For Less!